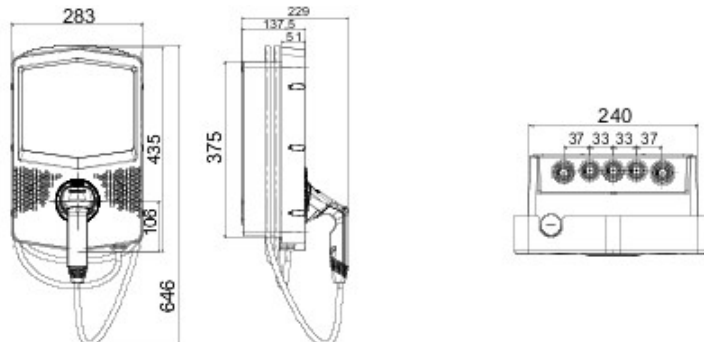




I-CON wallbox is the JOINON solution for private and semi-public contexts, in compliance with the international standard IEC 61851-1 ed. 3. They are characterized by an elegant and compact design, for the special "one-hand recharge" functionality, and for the presence of the vandal-proof socket as an alternative to the connector with cable and holder integrated in the station, the IP55 degree combined with an IK10 certified resistance, intelligent load management, Backlight lighting, and various installation possibilities: wall, flush-mounting or floor.

INPUT	- Socket/Connector Nr. (Type)	1 (Type 2 connector with 5 mt. cable)
Terminal blocks	- Charging activation	-
Rated current	32 A	Human Interface
Total power	22 Kilowatt	Connectivity
OUTPUT	-	MECHANICAL FACTS
Rated voltage	400 V	Mouting and installation
Current supplied (max)	32 A	Colour
Maximum current	22 Kilowatt	Material
Thermal-magnetic protection	Currently not present	External treatments
Type of residual current protection	Currently not present	IP degree
Power meter	Currently not present	Mechanical resistance
DC Leakage check	Yes	Operating temperature
(Auto)restart electrical protections	Currently not present	Customizations

DIMENSIONAL



TECHNICAL SYMBOLOGY

IP

IP55

IK

IK10

STANDARDS/APPROVALS

