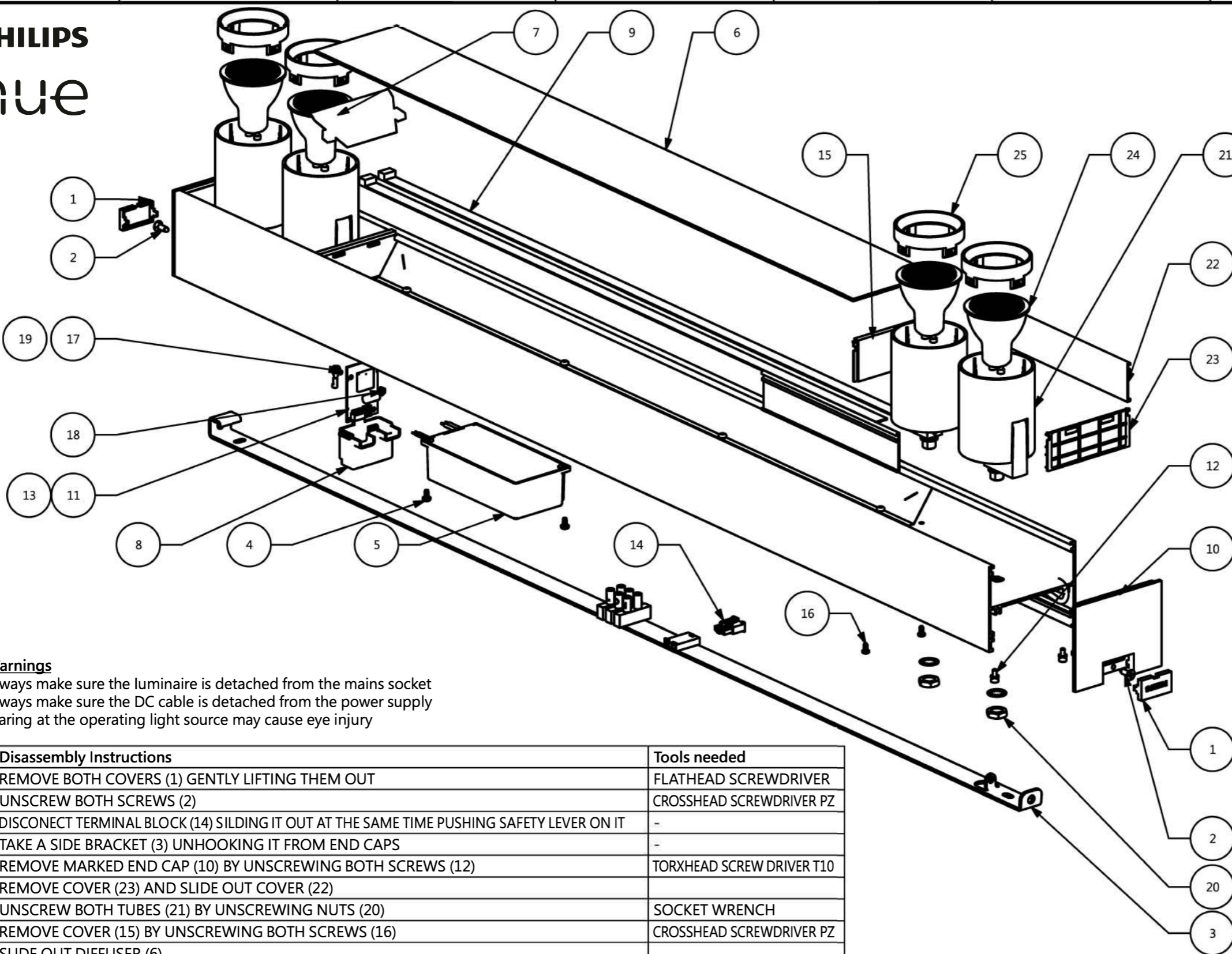


PHILIPS
hue



#	COMPONENT	QTY
1	COVER	2
2	SCREW	2
3	BRACKET	1
4	SCREW	2
5	CONTROL GEAR - PSU	1
6	DIFFUSER	1
7	REFLECTOR	1
8	COVER	1
9	LIGHT SOURCE - LED STRIP	2
10	END CAP	1
11	CONTROL GEAR - HUE CONNECT	1
12	SCREW	2
13	CONNECTION CABLE	1
14	TERMINAL BLOCK	1
15	COVER	1
16	SCREW	1
17	SCREW	1
18	NUT	1
19	WIRE	1
20	NUT	2
21	TUBE	2
22	COVER	2
23	COVER	1
24	GU 10 BULB	4
25	COVER	4

Warnings

Always make sure the luminaire is detached from the mains socket
Always make sure the DC cable is detached from the power supply
Staring at the operating light source may cause eye injury

#	Disassembly Instructions	Tools needed
a	REMOVE BOTH COVERS (1) GENTLY LIFTING THEM OUT	FLATHEAD SCREWDRIVER
b	UNSCREW BOTH SCREWS (2)	CROSSHEAD SCREWDRIVER PZ
c	DISCONNECT TERMINAL BLOCK (14) SLIDING IT OUT AT THE SAME TIME PUSHING SAFETY LEVER ON IT	-
d	TAKE A SIDE BRACKET (3) UNHOOKING IT FROM END CAPS	-
e	REMOVE MARKED END CAP (10) BY UNSCREWING BOTH SCREWS (12)	TORXHEAD SCREW DRIVER T10
f	REMOVE COVER (23) AND SLIDE OUT COVER (22)	
g	UNSCREW BOTH TUBES (21) BY UNSCREWING NUTS (20)	SOCKET WRENCH
h	REMOVE COVER (15) BY UNSCREWING BOTH SCREWS (16)	CROSSHEAD SCREWDRIVER PZ
i	SLIDE OUT DIFFUSER (6)	
j	SLIDE OUT REFLECTOR (7)	
k	UNPLUG CONNECTION CABLES (13) FROM BOTH LIGHT SOURCE-LED STRIPS (9)	
l	REMOVE LIGHT SOURCE-LED STRIPS (9) ACCORDING INSTRUCTION 442295215544_L2 REMOVAL AND TEST INSTRUCTION FLEX LED STRIP	SEE INSTRUCTION
m	REMOVE THE COVER (8) BY TILTING IT FORWARD WHILE SQUEEZING IT WITH YOUR FINGER BETWEEN THE CABLE EXITS	
n	SLIDE OUT CONTROL GEAR - HUE CONNECT (11) FROM THE COVER (8)	
o	UNPLUG CONNECTION CABLE (13) AND POWER WIRES FROM CONTROL GEAR - HUE CONNECT (11)	WAGO TOOL #2065
p	DETACH WIRE (19) BY UNSCREWING SCREW (17) FROM NUT (18)	ALLEN KEY, PINCER
r	CUT OUT MAIN WIRES OF CONTROL GEAR PSU (5)	CUTTING PLIERS
s	REMOVE CONTROL GEAR PSU (5) BY UNSCREWING BOTH SCREWS (4)	ALLEN KEY
t	REMOVE COVERS (25) BY ROTATING THEM AND PULLING OUT FROM TUBES (21)	
u	REMOVE GU 10 BULBS (24) ROTATING THEM OUT	

SKU	Color	Country
915005928801	WHITE	EU/UK
915005928701	BLACK	EU/UK

STATUS	DESCRIPTION	DESIGN ID	03	2021-08-04
Centris Hue special form 4.7W white/black -Disassembly instruction		DOC 12NC		
NAME	T.O.	LOCAL PART ID 096940	SH. 1	SH. 511
CHECKED	DATE	2021-08-04		A3-L
CONFIDENTIAL, PROPERTY OF: © 2021 Signify Holding				