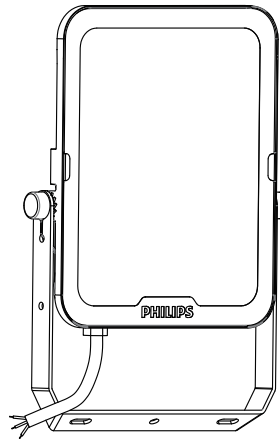


PHILIPS

LED Floodlight

BVP164/165



220V
240V

50Hz
60Hz



IK07

IP65

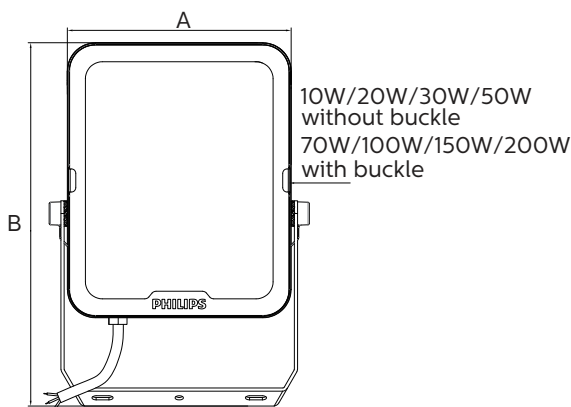


Max. 40 °C
Min. -25 °C

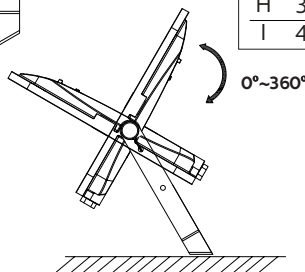
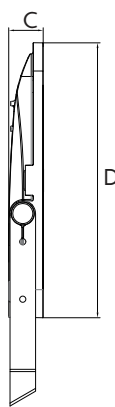
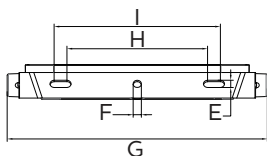
Ta 25 °C



	Flux (lm)	Power (W)	Energy efficiency class of light source	Beam	m ²	kg
BVP164 LED12/830 PSU 10W SWB CE	1100	10	F		0.005	0.24
BVP164 LED12/840 PSU 10W SWB CE	1200	10	E		0.005	0.24
BVP164 LED12/865 PSU 10W SWB CE	1200	10	E		0.005	0.24
BVP164 LED24/830 PSU 20W SWB CE	2200	20	F		0.008	0.31
BVP164 LED24/840 PSU 20W SWB CE	2400	20	E		0.008	0.31
BVP164 LED24/865 PSU 20W SWB CE	2400	20	E		0.008	0.31
BVP164 LED36/830 PSU 30W SWB CE	3300	30	F		0.017	0.54
BVP164 LED36/840 PSU 30W SWB CE	3600	30	E		0.017	0.54
BVP164 LED36/865 PSU 30W SWB CE	3600	30	E		0.017	0.54
BVP164 LED60/830 PSU 50W SWB CE	5500	50	F		0.028	0.81
BVP164 LED60/840 PSU 50W SWB CE	6000	50	E		0.028	0.81
BVP164 LED60/865 PSU 50W SWB CE	6000	50	E		0.028	0.81
BVP164 LED84/830 PSU 70W SWB CE	7700	70	F	100°~120°	0.038	1.09
BVP164 LED84/840 PSU 70W SWB CE	8400	70	E		0.038	1.09
BVP164 LED84/865 PSU 70W SWB CE	8400	70	E		0.038	1.09
BVP165 LED120/830 PSU 100W SWB CE	11000	100	F		0.045	1.55
BVP165 LED120/840 PSU 100W SWB CE	12000	100	E		0.045	1.55
BVP165 LED120/865 PSU 100W SWB CE	12000	100	E		0.045	1.55
BVP165 LED180/830 PSU 150W SWB CE	16500	150	F		0.077	2.51
BVP165 LED180/840 PSU 150W SWB CE	18000	150	E		0.077	2.51
BVP165 LED180/865 PSU 150W SWB CE	18000	150	E		0.077	2.51
BVP165 LED240/830 PSU 200W SWB CE	22000	200	F		0.112	3.68
BVP165 LED240/840 PSU 200W SWB CE	24000	200	E		0.112	3.68
BVP165 LED240/865 PSU 200W SWB CE	24000	200	E		0.112	3.68



The exposed wire length: 10/20/30/50W 1000mm
The exposed wire length: 70/100/150/200W 2000mm



Dimensions in mm								
	10W	20W	30W	50W	70W	100W	150W	200W
A	63.8	82	117	150	175	185	242	296
B	111	130	182	232	284	312	409	482
C	25.5	25.5	25.5	26.1	27	32.5	32.5	35.7
D	82.8	100	145	185	215	244	320	380
E	4.2	4.2	4.5	6.5	6.5	8.5	10.5	10.5
F	4.2	4.2	4.5	6.5	6.5	8.5	10.5	10.5
G	79	97	133	173	203	220	282	336
H	35	50	70	90	110	110	150	210
I	45	60	85	110	130	130	180	240

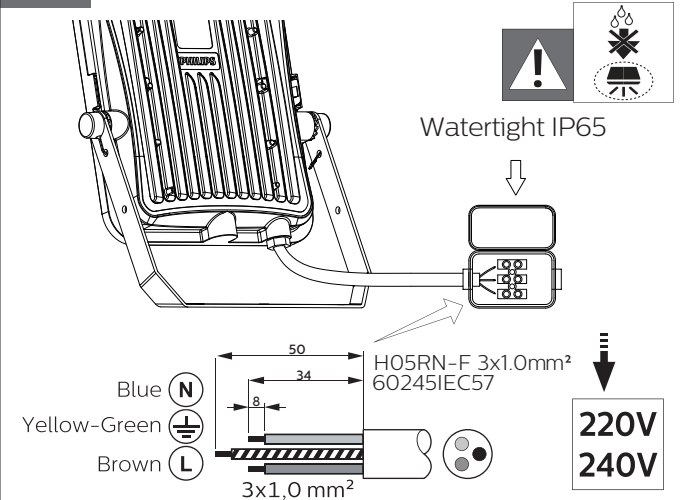




Install the luminaire according to the national regulations. 3P terminal, the terminal is at least rated voltage 250V.

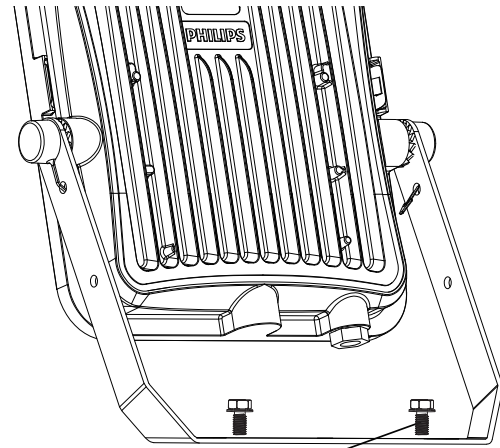


If the luminaire is higher >3 m, the use of 2nd fixing security system is needed.



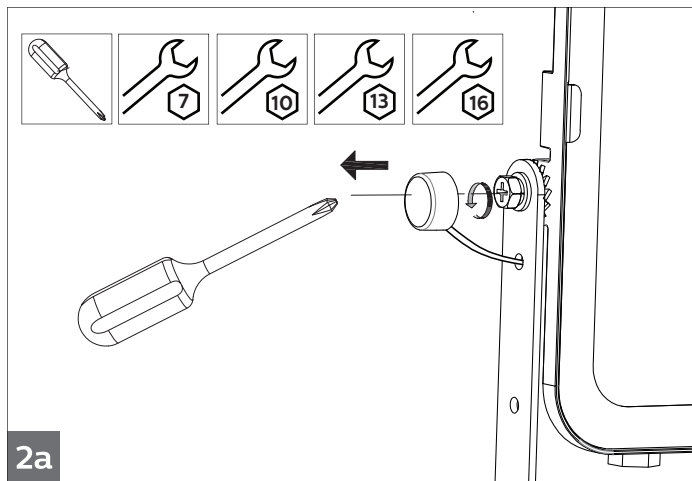
- Always use IP65 or higher IP rated junction box/connector for wiring connection.
- The Luminaire should never be used in submerged wet conditions e.g. under water, soil, snow etc.
- The wiring connection should also never be used in submerged wet conditions e.g. water, soil, snow etc. OR use IP68 junction box.
- The warranty is void, in case any of the instructions / guidelines are not followed as per given mounting instruction.
- This product is not supplied with any junction box / connector.
- For further clarification, please contact the manufacturer.

1a

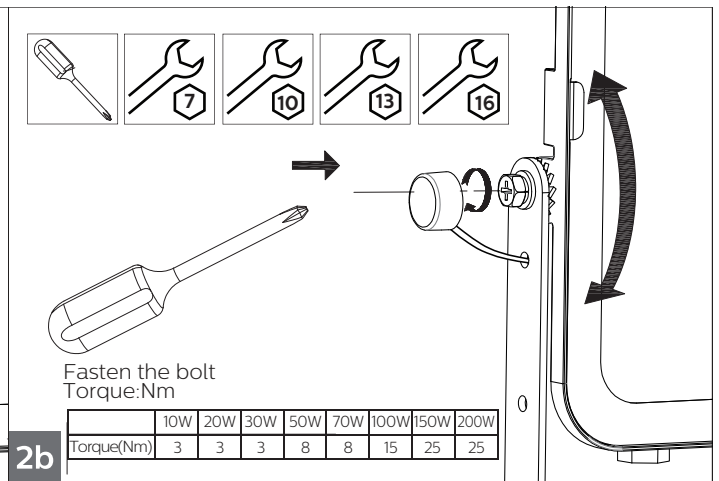


2x
10W/20W/30W:M4
50W/70W:M6
100W:M8
150W/200W:M10

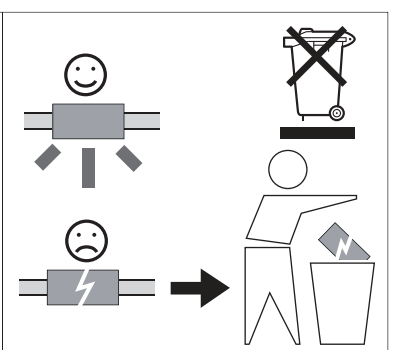
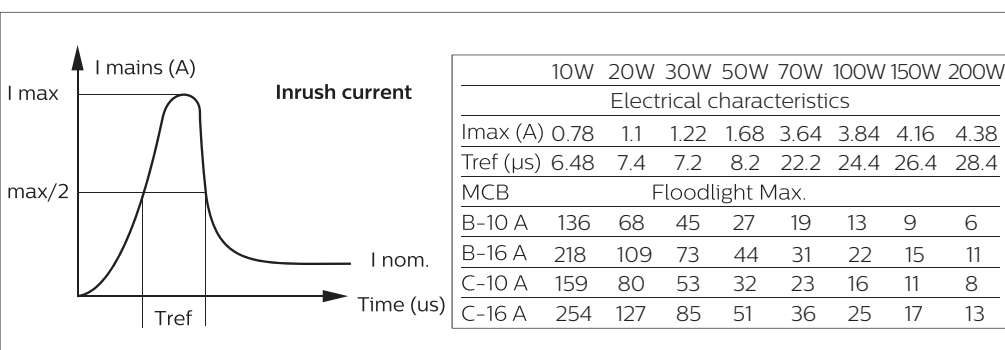
1b



2a



2b



- The luminaire shall be installed or maintained by a qualified electrician and wired in accordance with the latest IEE electrical regulations or the national requirements.
- The external flexible cable or cord of this luminaire cannot be replaced; if the cord is damaged, the luminaire shall be destroyed.
- The light source of this luminaire is not replaceable; when the light source reaches its end of life the whole luminaire shall be replaced.
- Luminaire must not be used or stored in corrosive environment where hazardous materials such as sulphur, chlorine, phthalates, etc. are present.