

DATA SHEET: COMPACT - INDICATOR LIGHTS 230 V AC/DC



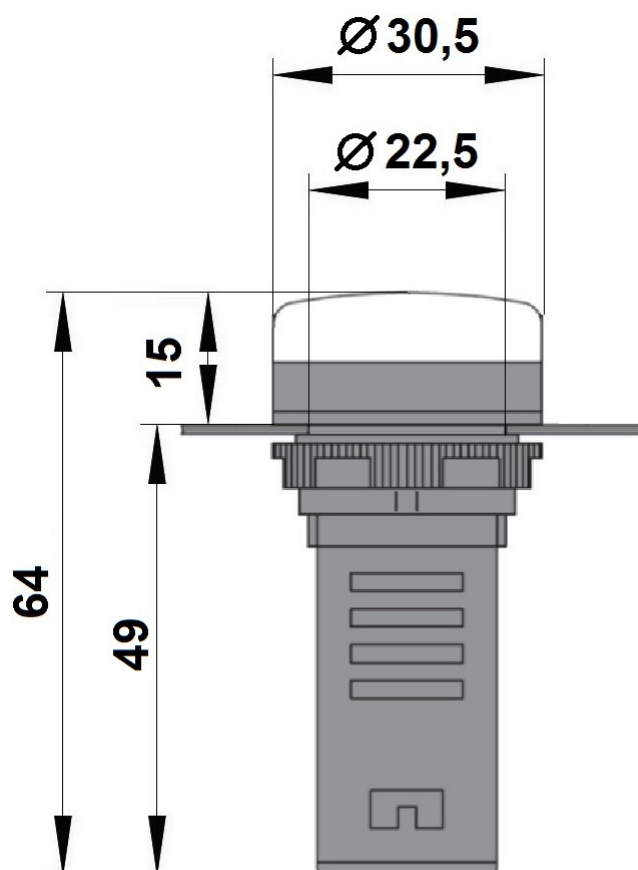
SCHRACK-INFO

- LED-technology
- Fullsize illumination

TECHNICAL DATA:

Standard	IEC/EN60947-5-1
Colors	red
	yellow
	blue
	green
	white
Rated voltage	230V-AC/DC
Rated operational current	≤ 20mA
Service life	≥ 30000h
Brightness	≥ 60cd/m ²
Degree of protection	IP65
Ambient temperature	- 5°C ... + 70°C
Altitude	≤ 2000m
Relative Humidity	50% at +40°C
	90% at +20°C
Pollution degree	3
Overvoltage category	III

■ DIMENSIONS:



■ ARTICLES:

Compact-Indicator Lights 230 V AC/DC

Description	order no.
LED-indicator monobloc 230V AC/DC red	BZ501215-A
LED-indicator monobloc 230V AC/DC yellow	BZ501216-A
LED-indicator monobloc 230V AC/DC blue	BZ501217-A
LED-indicator monobloc 230V AC/DC green	BZ501218-A
LED-indicator monobloc 230V AC/DC white	BZ501219-A