

■ Datasheet: El. Main branch term., 4 pole, 100A, in. 2x16mm², out.6x16mm²



IKB14016

■ SCHRACK-INFO

Article-description: El. Main branch term., 4 pole, 100A, in. 2x16mm², out.6x16mm²

■ Assembly details

Mounting on DIN-rail or on base plate. Time savings in cabling and approximately 80% space savings. Modular construction, 1-4 pole Systems can be built with several blocks.

■ Technical data

	Material	Colour
Clamping body	Brass	Plain
Housing	PA66-V0	grey
Housing body	PC-V2	clear
Hexagon socket set screw	Steel	Zn-Plated

■ General data

Heat defelction temp.	100°C - UL94-V0
Comparative tracking index	600V
Standard	IEC 60 947 -7 -1

■ Electrical data

	IEC
max. electrical load	125A
max. operating voltage	690V AC 690V DC
Protection	IP20
Short circuit withstand	I _{pk} 24kA / I _{cw} 1s 4,2kA

■ Cross section

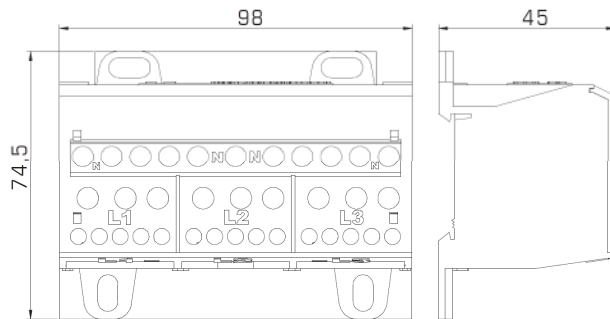
		U - single wire	K - fine wire (with sleeve)	Torque
		R - multi wire	F - fine wire (with sleeve)	
Incomer				
L1 - L3	1 x Ø8,5mm	6mm ² - 35mm ²	6mm ² - 25mm ²	1,5Nm
N	1 x Ø8,5mm			
Outgoings				
L1 - L3	5 x Ø4,5mm	1,5mm ² - 6mm ²		0.8Nm
	2 x Ø7mm	4mm ² - 16mm ²	4mm ² - 10mm ²	
N	4 x Ø5,5mm	1,5mm ² - 10mm ²	1,5mm ² - 6mm ²	1.5Nm
	6 x Ø7mm	4mm ² - 16mm ²	4mm ² - 10mm ²	

■ Approval and Marking

The products are CE conform and correspond to the RoHS of the EU.

■ Datasheet: El. Main branch term., 4 pole, 100A, in. 2x16mm², out.6x16mm²

■ Dimensional drawing



■ Models

Description	Order No.
El. Main branch term., 4 pole, 100A, in. 2x16mm ² , out.6x16mm ²	IKB14016