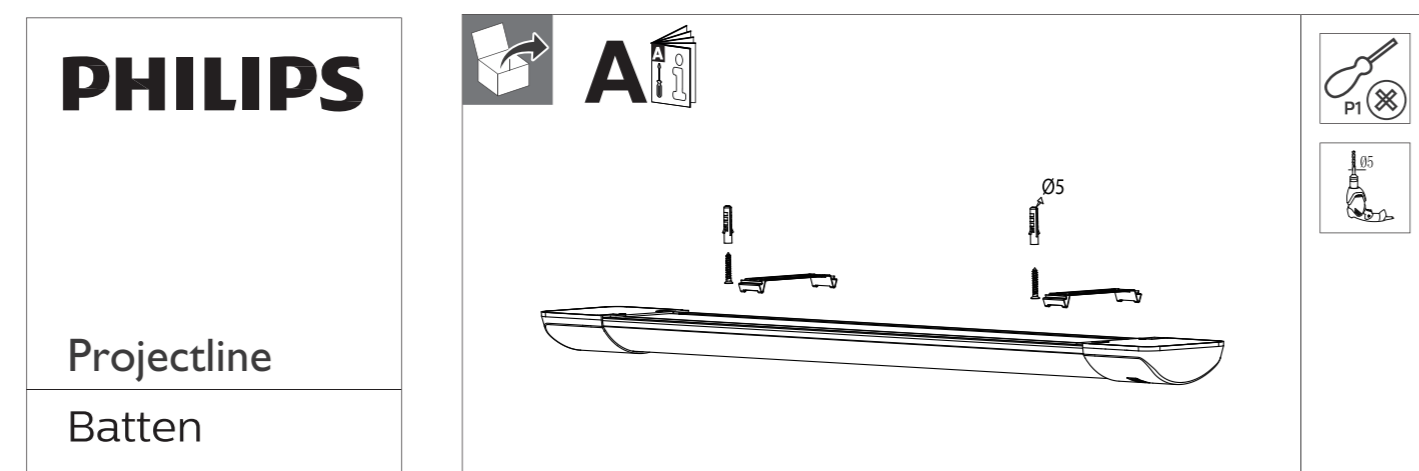
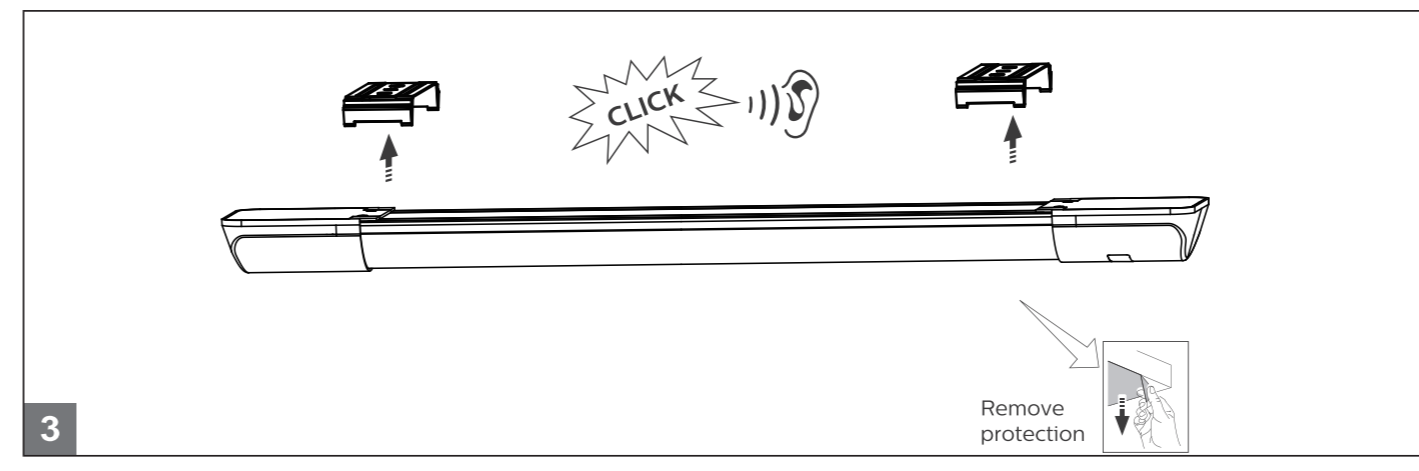
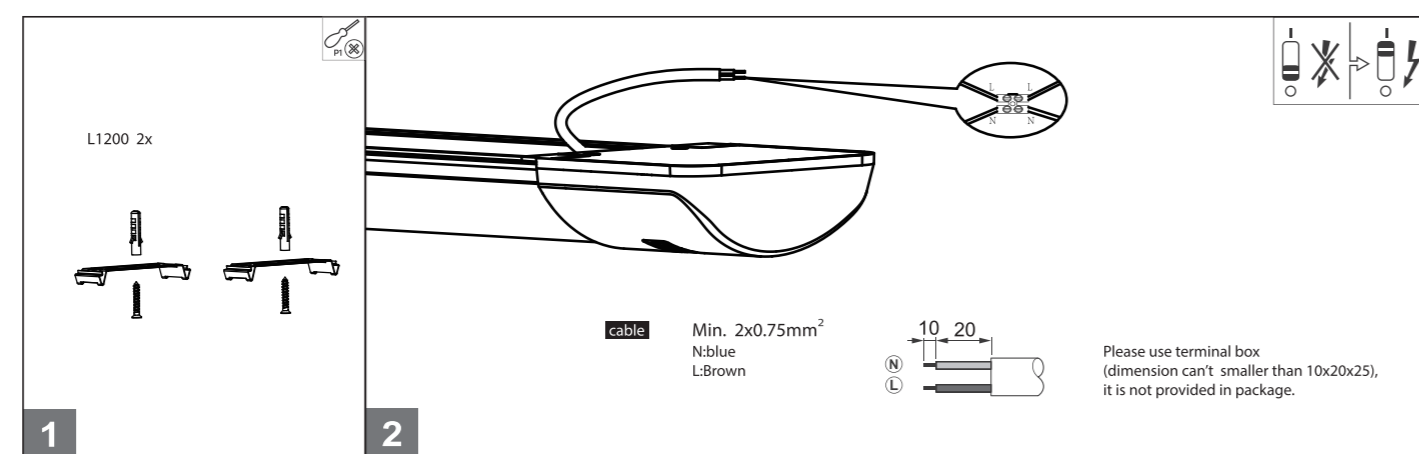
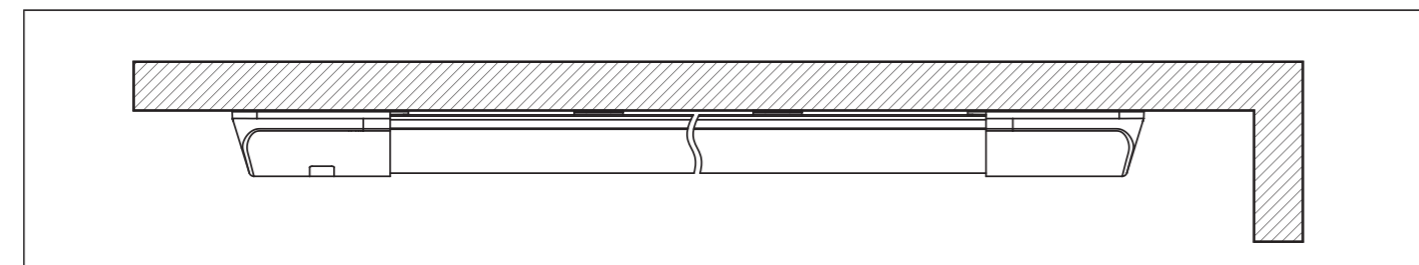
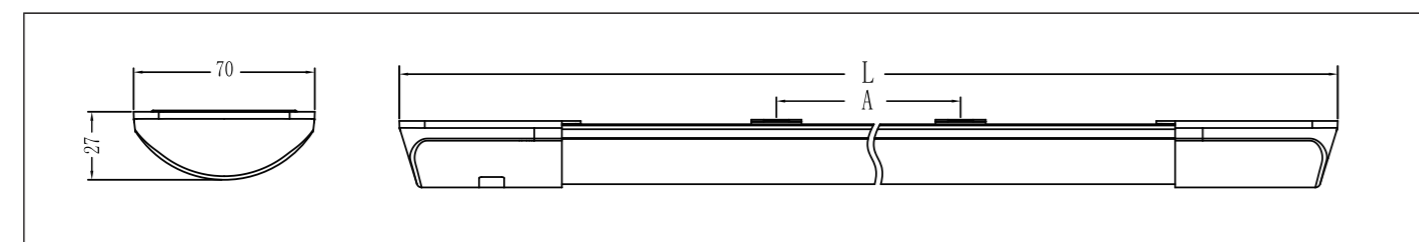


A4说明书 80克双胶纸 正反面黑色印刷



CE UK CA 220V 240V 50Hz 60Hz LEDs Max. 40°C Min. -20°C L85 36,000

Type	System lumen (Lm)	CCT	P(W)	Energy efficiency class of light source	L	A	kg
Projectline Batten 60 1440lm 3000K	1440	3000K	16W	F	600	255-385	0.155
Projectline Batten 60 1600lm 4000K	1600	4000K	16W	F	600	255-385	0.155
Projectline Batten 120 2700lm 3000K	2700	3000K	30W	F	1200	400-600	0.255
Projectline Batten 120 3000lm 4000K	3000	4000K	30W	F	1200	400-600	0.255



⚠ - The luminaire shall be installed by a qualified electrician and wired in accordance with the latest IEE electrical regulations or the national requirements.
 - The LED driver is not serviceable and not replaceable.
 - The light source contained in this luminaire shall only be replaced by the manufacturer or his service agent or a similar qualified person.
 - Luminaire must not be used or stored in corrosive environments where hazardous materials such as sulphur, chlorine, phthalates, etc. are present.

⚠ ATTENTION OBSERVE PRECAUTIONS FOR HANDLING ELECTROSTATIC SENSITIVE DEVICES