



CorePro LED spot LV



CorePro LED spot ND 7-50W MR16 827 36D

MASTER, LEDspot, MR16, 50 W, GU5.3, 2700 K, 621 lm, CRI 80, 15000 hour(s), Glass

CorePro LEDspots are a perfect fit for spot lighting and deliver warm halogen-like light. They are compatible with most existing fixtures with MR16 GU5.3 holders and are designed as a retrofit replacement for halogen or incandescent spots. CorePro LEDspots deliver huge energy savings and minimize maintenance cost.

Product data

General Information	
Cap-Base	GU5.3
Nominal lifetime	15,000 hour(s)
Switching Cycle	50,000
Lighting Technology	LEDspot
Flux measurement reference	Narrow Cone
Warranty period	5 years
Light Technical	
Color Code	827 [CCT of 2700K]
Beam Angle (Nom)	36 degree(s)
Luminous Flux	621 lm
Luminous Intensity (Nom)	1,400 cd
Color Designation	Warm White (WW)
Correlated Color Temperature (Nom)	2700 K
Luminous Efficacy (rated) (Nom)	88 lm/W
Color Consistency	<6
Color rendering index (CRI)	80
LLMF At End Of Nominal Lifetime (Nom)	70 %

Luminous Flux in 90° Cone (Rated)	621 lm
Operating and Electrical	
Line Frequency	- Hz
Input Frequency	- Hz
Power Consumption	7 W
Lamp Current (Nom)	730 mA
Wattage Equivalent	50 W
Starting Time (Nom)	0.5 s
Warm-up time to 60% light	0.5 s
Power Factor (Fraction)	0.8
Voltage (Nom)	12 V
Temperature	
T-Case Maximum (Nom)	85 °C
Controls and Dimming	
Dimmable	No

CorePro LED spot LV

Mechanical and Housing

Bulb Finish	Clear
Bulb Material	Glass
Bulb Shape	MR16
Net Weight (Piece)	0.030 kg

Approval and Application

Energy Efficiency Class	F
Suitable For Accent Lighting	Yes
Energy Consumption kWh/1000 h	7 kWh
EPREL Registration Number	465221
CE mark	Yes
EU RoHS compliant	Yes
EyeComfort	Yes
Ambient temperature range	-20 to +40 °C

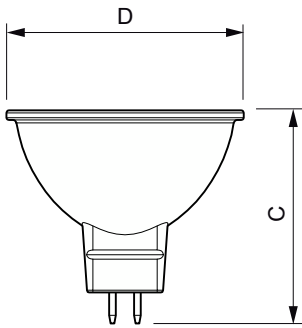
Application Conditions

can it be used in closed luminaires	No
-------------------------------------	----

Product Data

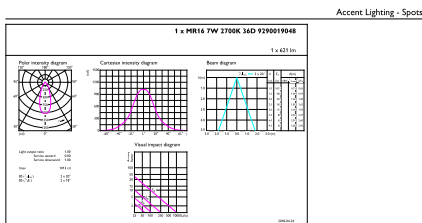
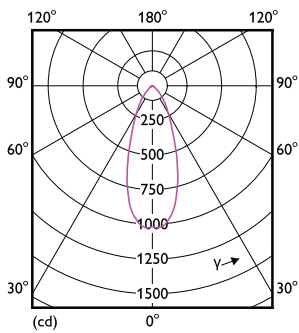
Order product name	CorePro LED spot ND 7-50W MR16 827 36D
Full product name	CorePro LED spot ND 7-50W MR16 827 36D
Full product code	871869681471000
Order code	929001904802
Material Nr. (12NC)	929001904802
Numerator - Quantity Per Pack	1
EAN/UPC - Product/Case	8718696814710
Numerator - Packs per outer box	10
EAN/UPC - Case	8718696814727

Dimensional drawing



Product	D	C
CorePro LED spot ND 7-50W MR16 827 36D	50.5 mm	45 mm

Photometric data



CandLux Photometrics 4.5

Philips Lighting B.V.

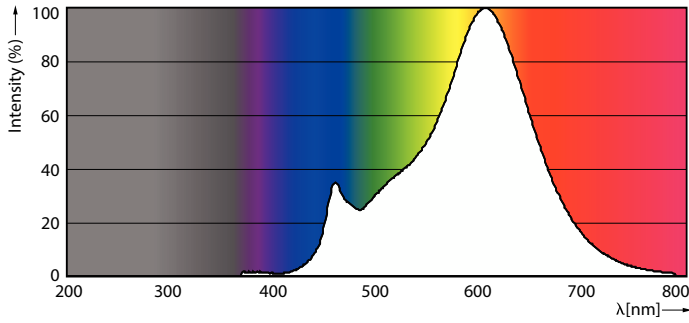
Page: 1/1

Light Distribution Diagram - CorePro LED spot ND 7-50W MR16 827 36D

Accent Lighting Spots - CorePro LED spot ND 7-50W MR16 827 36D

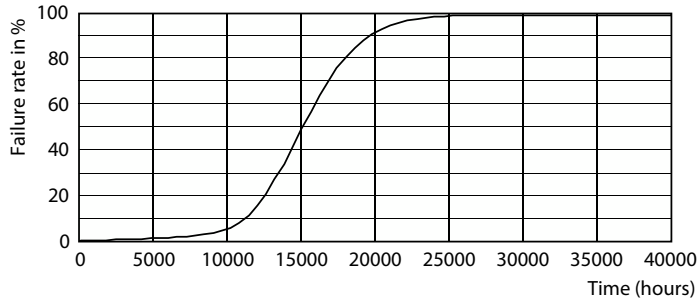
CorePro LED spot LV

Photometric data

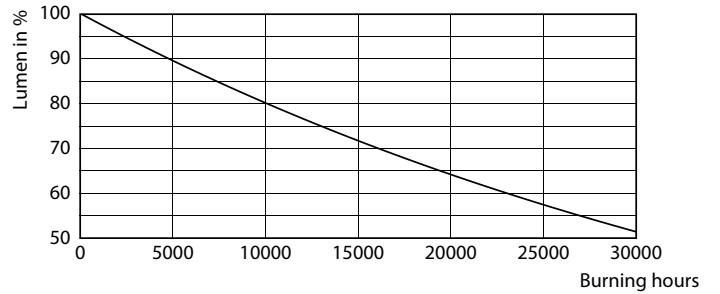


Spectral Power Distribution Colour - CorePro LED spot ND 7-50W MR16 827 36D

Lifetime



LEDspot Corepro 7-50W GU5.3 MR16 827 36D ND



Lumen Maintenance Diagram - CorePro LED spot ND 7-50W MR16 827 36D

